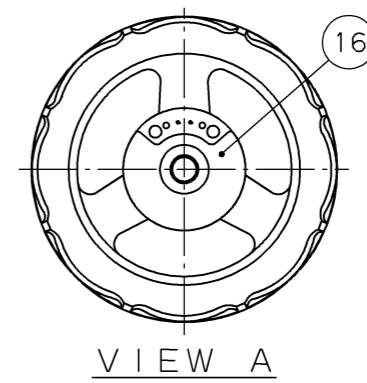


NOTE
1. Size 40 is out of scope of JIS B 2032.

DIMENSIONS

UNIT : mm

SIZE	d	L	H1	H2	H3	H4	D	FLANGE						L1	L2	L3	S	W	GEAR UNIT	MASS (Kg)	Q'ty
								JIS 5K			JIS 10K										
								C	N	G	C	N	G								
40	42	33	40.0	127.5	150.5	29	79.5	95	4	M12	105	4	M16	34	30	52	131	100	G-00AN	1.3	
50	50	43	64.5	132.0	155.0	29	87.0	105	4	M12	120	4	M16	34	30	52	131	100	G-00AN	1.5	
65	66	46	72.5	140.0	163.0	29	107.0	130	4	M12	140	4	M16	34	30	52	131	100	G-00AN	1.7	
80	79	46	84.0	150.0	173.0	29	122.0	145	4	M16	150	8	M16	34	30	52	131	100	G-00BN	2.0	
100	101	52	94.0	160.0	183.0	29	152.0	165	8	M16	175	8	M16	34	30	52	131	100	G-00BN	2.4	
125	125	56	124.5	195.0	219.0	32	178.0	200	8	M16	210	8	M20	41	39	67	132	100	G-01AN	4.1	
150	148	56	136.0	207.0	231.0	32	208.0	230	8	M16	240	8	M20	41	39	67	132	100	G-01AN	4.8	
200	198	60	165.0	234.0	265.0	38	257.0	280	8	M20	290	12	M20	58	48	89	149	140	G-02AN	8.1	



No.	PART	MATERIAL	NOTE
147B	BOTTOM PLATE	EPDM	SIZE 50~200
147A	BOTTOM CAP	SUS301	SIZE 50~200
146	BACK UP RING	ZDC2	SIZE 50~200
106	SEAT RUBBER	EPDM	
103	BOTTOM STEM	SUS410	SIZE 50~200
102	GEAR UNIT		
99	BOLT	SUS304	
74	THRUST BEARING	PE	
67	BEARING	PPS	
63	BOLT	SUS304	
61	YOKE	SCS13A	
48	SNAP RING	SUS304	
45B	O-RING	EPDM	
45A	O-RING	EPDM	
16	PLATE	A1050P	
9	HAND WHEEL	ADC12	
4	DISC	SCS13A	
3	STEM	SUS410	
1	BODY	ADC12	

FACE TO FACE OR END TO END
JIS B2032 SERIES46
END CONNECTION
WAFER TYPE JIS 5K/10K
WALL THICKNESS
MAKER'S STANDARD
PRESSURE TEST
MAKER'S STANDARD

10K
ALUMINIUM ALLOY DIE CAST
WAFER TYPE
RUBBER SEATED
BUTTERFLY VALVE
WITH GEAR OPERATOR
JIS B 2032

APP'D	K.Kobayashi	FIGURE	PRODUCT CODE		
CHK'D	H.Fuseya	10ALM-N-GUE	550GA		
CHK'D	M.Mochizuki	DRAWING No.	△	DATE	BY
PREP'D	K.Kohama	16451300			
DATE	JUL.31.'15				

TOYO **Toyo Valve Co., Ltd.**