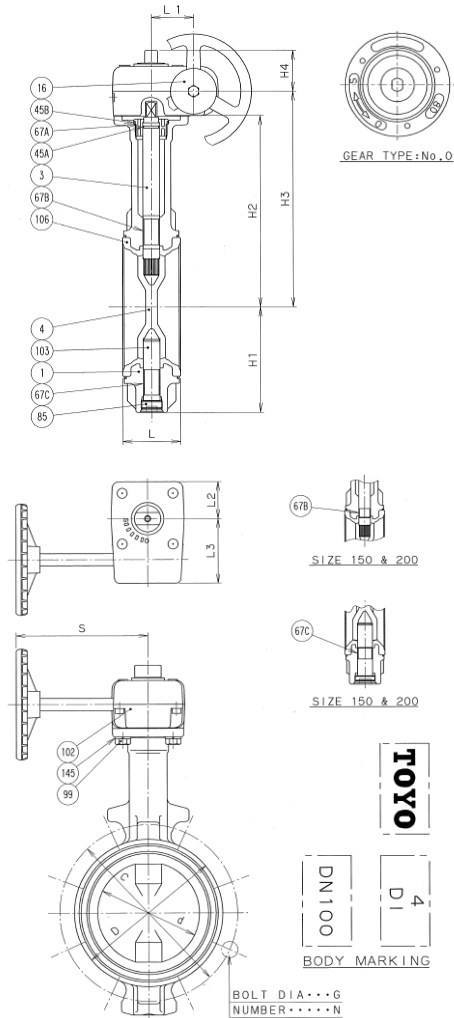


PN16 DUCTILE IRON WAFER TYPE RUBBER SEATED BUTTERFLY VALVE

WAFER / Gear Operated, EPDM Seat, Size50-200

Materials



No	Name of parts	Specifications	
1	BODY	A536 Gr.65-45-12	
3	STEM	A276-410	
4	DISC	A351-C8M	
16	NAME PLATE	ALUMINUM	
45A	O-RING	EPDM	
45B	O-RING	EPDM	
67A	BEARING	POM	
67B	STEM BEARING	G/F PTFE	SIZE 50-125
		METAL BACKED PTFE	SIZE 150,200
67C	STEM BEARING	G/F PTFE	SIZE 50-125
		METAL BACKED PTFE	SIZE 150,200
85	PLUG	B86-AG40A	*1
99	SET BOLT	CARBON STEEL	
102	GEAR UNIT		
103	BOTTOM STEM	A276-410	
106	SEAT RUBBER	EPDM	*2
145	SPRING WASHER	CARBON STEEL	

*1 : CHROMATE COATING.
*2 : VULCANIZED TO THE BODY.

Dimensions

SIZE	d	L	H1	H2	H3	H4	D	FLANGE			L1	L2	L3	S	W	GEAR UNIT	MASS (kg)	
								C	N	G								
2	50	50	43	67	147	166	28	90	125	4	M16	28	29	49	122	80	No.0	2.2
2 1/2	65	65	46	75	155	174	28	104	145	4	M16	28	29	49	122	80	No.0	2.6
3	80	80	46	91	173	197	39	124	160	8	M16	40	36	64	135	110	No.1	3.9
4	100	100	52	101	183	207	39	146	180	8	M16	40	36	64	135	110	No.1	4.2
5	125	125	56	127	211	235	39	176	210	8	M16	40	36	64	150	110	No.1	6.3
6	150	150	56	139	223	247	39	206	240	8	M20	40	36	64	150	110	No.1	8.5
8	200	197	60	169	248	280	45	257	295	12	M20	63	51	91	180	170	No.2	15.6

Working Pressures

Working pressures Non-Shock
Maximum service pressure : 16bar
Service temperature : 0 ~ 70°C

*Design and materials are subject to change without notice.