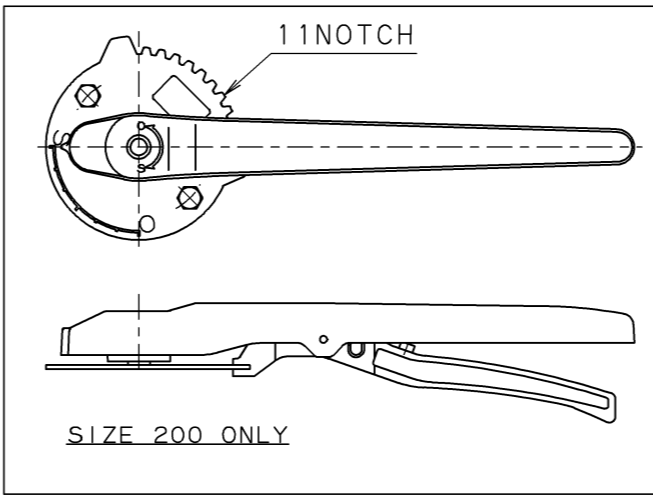
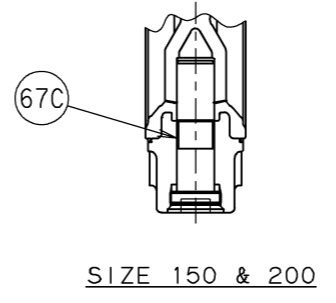
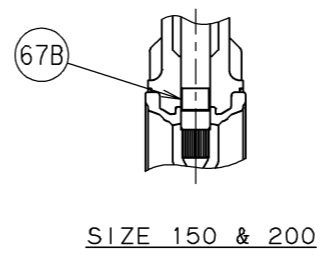


DIMENSIONS UNIT: mm

SIZE		d	L	H1	H2	H3	D	FLANGE			W	MASS (Kg)	Q'ty
A	B							C	N	G			
50	2	50	43	67	147	44	90	125	4	M16	180	1.9	
65	2½	65	46	75	155	44	104	145	4	M16	180	2.3	
80	3	80	46	91	173	44	124	160	8	M16	180	3.2	
100	4	100	52	101	183	44	146	180	8	M16	180	3.5	
125	5	125	56	127	211	54	176	210	8	M16	230	5.8	
150	6	150	56	139	223	54	206	240	8	M20	230	8.0	
200	8	197	60	169	248	47	257	295	12	M20	350	15.1	



BOLT DIA...G
NUMBER...N

TOYO

DN100
D1 4
BODY MARKING

NOTES

- *1: CHROMATE COATING
- *2: VULCANIZED TO THE BODY

No.	PART	MATERIAL (ASTM)	NOTE
145	SPRING WASHER	CARBON STEEL	
106	SEAT RUBBER	EPDM	*2
103	BOTTOM STEM	A276-410	
99B	NUT	CARBON STEEL	
99A	SET BOLT	CARBON STEEL	
98	INDEX PLATE	CARBON STEEL ALUMINUM	SIZE 200A SIZE 50~150A
85	PLUG	B86-AG40A	*1
67C	STEM BEARING	METAL BACKED PTFE G/F PTFE	SIZE 150,200A SIZE 50~125A
67B	STEM BEARING	METAL BACKED PTFE G/F PTFE	SIZE 150,200A SIZE 50~125A
67A	BEARING	POM	
45B	O-RING	EPDM	
45A	O-RING	EPDM	
16	NAME PLATE	PET	
9	LEVER UNIT		
4	DISC	A351-CF8M	
3	STEM	A276-410	
1	BODY	A536 Gr.65-45-12	

FACE TO FACE OR END TO END
BS 5155 WAFER SHORT
END CONNECTION
WAFER TYPE
(BS EN 1092 PN16)
WALL THICKNESS
MAKER'S STANDARD
PRESSURE TEST
MAKER'S STANDARD

PN16
DUCTILE IRON
WAFER TYPE
RUBBER SEATED
BUTTERFLY VALVE
WITH LEVER OPERATOR

APP'D	K.Kobayashi	FIGURE	PRODUCT CODE
CHK'D	H.Fuseya	PN16L1-N-UME	957MESL
CHK'D	M.Mochizuki	DRAWING No.	
PREP'D	K.Kohama	L1311S030	
DATE	JUL.31.'15	MARK	DATE BY



Toyo Valve Co., Ltd.