

LP-8N, 9N Type Level Control Valve (for Water)

General purpose level control valve for water receiving tank. It is made of cast of cast bronze for body to prevent rust water. And no adjustable part, compact, easy to installation.

FEATURES

- Since the passage to the pilot piping is through of bypass line, intermittent water feeding by the ball tap which caused by water wave, does not influence to water supply quiet and stable water supply is ensured.
- Compact, simple structured, easy to handle.
- Strainer embedded.

SPECIFICATIONS

| Model name | LP-8N | | LP-9N |
|--------------------------|--|--|--|
| | LP8N-F | LP8N-B | LP9N-F |
| Size | 25~50(1"~2") | 65~100(2½"~4") | |
| End connection | Screwed JIS Rc | Flanged JIS 10KFF | |
| Applicable fluid | Water | | |
| Applicable temperature | 5~60°C | | |
| Applicable pressure | 0.03~0.75MPa | 0.035~0.75MPa | |
| Materials | Body(Cast bronze) Disc & seat (Brass and Synthetic rubber) | Body(Cast iron) Disc & seat (Brass and Synthetic rubber) | Body(Cast bronze) Disc & seat (Brass and Synthetic rubber) |
| Valve body pressure test | Hydraulic 1.75MPa | | |
| Painting | — | Body inside:Epoxy resin | — |
| Accessories | Ball tap(Size 20mm), male and female bushing | Ball tap(Size 20mm) | Ball tap(Size 20mm), male and female bushing |

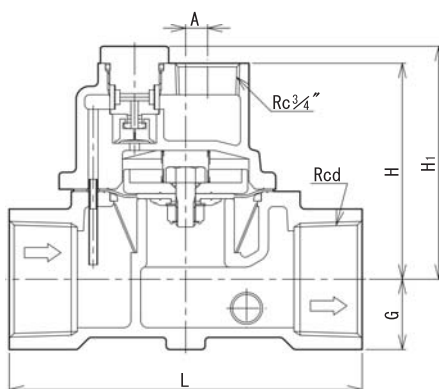
DIMENSIONS

(mm)

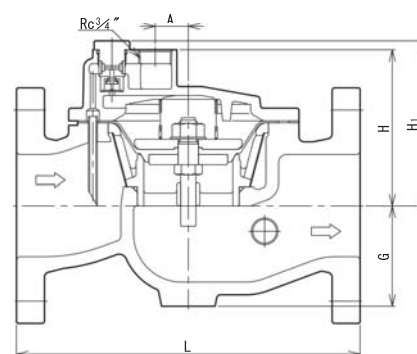
| Size | d | L | G | | H | H ₁ | A | Cv value | Mass(kg) | |
|---------|-----|-----|------------|------------|-----|----------------|----|----------|------------|------------|
| | | | LP-8N Type | LP-9N Type | | | | | LP-8N Type | LP-9N Type |
| 25(1") | 1" | 120 | 21 | — | 77 | 84 | 15 | 8 | 1.5 | — |
| 32(1¼") | 1¼" | 135 | 25 | — | 82 | 89 | 10 | 11 | 2.1 | — |
| 40(1½") | 1½" | 145 | 29 | — | 89 | 96 | 9 | 16 | 2.7 | — |
| 50(2") | 2" | 170 | 36 | — | 97 | 104 | 3 | 22 | 3.9 | — |
| 65(2½") | — | 270 | 75 | 75 | 123 | 130 | 26 | 60 | 21 | 19 |
| 80(3") | — | 270 | 79 | 79 | 123 | 130 | 26 | 70 | 21 | 21 |
| 100(4") | — | 290 | 92 | 89 | 135 | 142 | 39 | 100 | 29 | 28 |

* Size 65~100mm: Flange code JIS 10KFF

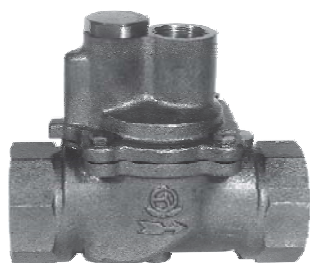
CONSTRUCTION



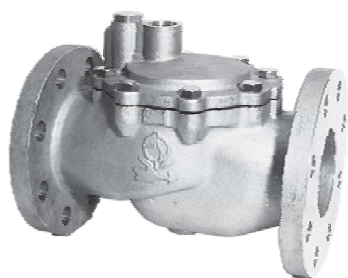
Size 25~50mm (LP-8N Type)



Size 65~100mm (LP-8N, 9N Type)



Size 25~50mm
(LP-8N Type)

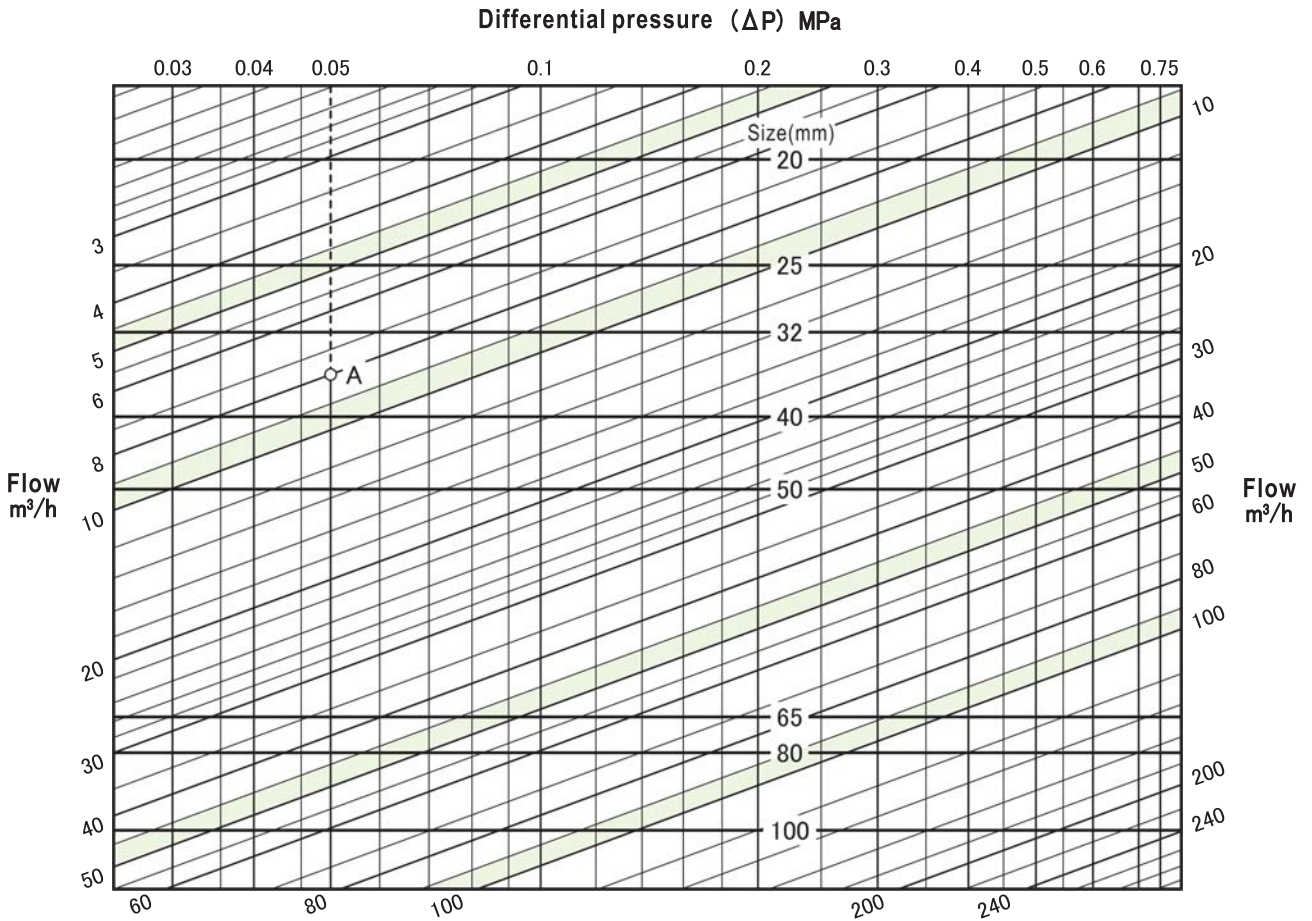


Size 65~100mm
(LP-8N, 9N Type)

DATA/LP-8N, 9N Type Series Level Control Valve (for Water)

SIZE SELECTION CHART (for Water)

SUITABLE TYPES: LP-8N,9N
 LP-8HN,9HN
 LP-8RN,9RN
 LP-8AN,8AHN,8ARN



● HOW TO USE THE CHART

Example: determine size for meeting the following conditions.
 Water supply pressure: 0.05MPa
 Back pressure: 0MPa
 Flow: 8m³/h

Differential pressure (ΔP) is 0.05MPa.
 The 0.05MPa pressure differential line intersects with the 8m³/h flow curve at point A.
 Since point A is between the 32mm and 40mm size lines, the larger one, which is 40mm, is selected.